



VERSACOURT REBOUNDER INSTALLATION INSTRUCTIONS 10X10 IN-LINE



PART LIST

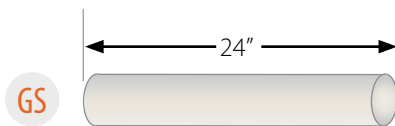
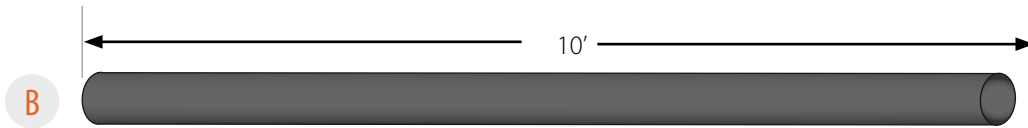
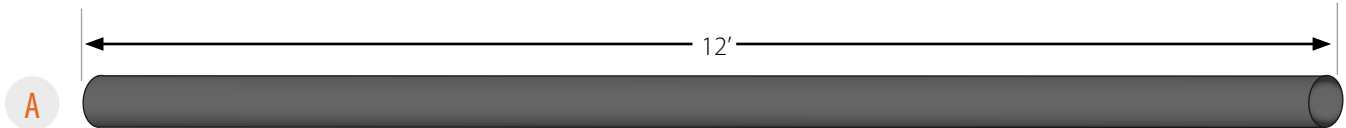
ITEM	PART NUMBER	DESCRIPTION	QUANTITY
1	VF-FEN10-8	SINGLE SOCKET TEE	2
3	VF-FEN15-8 90	90 ELBOW	2
A	VF-FENP12	BLACK FENCE POLE 12 FT, 1.9" O.D. 16ga	2
B	VF-FENP10	BLACK FENCE POLE 10 FT, 1.9" O.D. 16ga	2
GS	VF-FENG2	PVC GROUND SLEEVE (schedule 40, 2" x 24")	2
N	VF-REBNET1010	REBOUND NET 10X10 (8'6" X 8'6")	1
BC	VF-REBBUNG	BUNGEE CORDS WITH HOOKS	25
AS	VF-REBSTRAP	ADJUSTABLE STRAPS	11
SK	VF-REBSKIRT-B	REBOUND SKIRT WITH TIES 10X20 BLACK	1
TS	VF-TSB	TIE STRAPS BLACK	10
WS	VF-FENTNS	TENNIS WEBBING STRAP	1



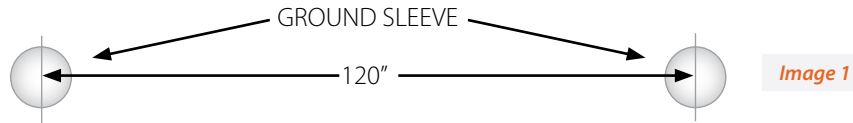
1



3



GROUND SLEEVE LOCATION INSTALLATION



OUTSIDE OF CONCRETE SLAB

STEP 1

The first step to installing the vertical post ground sleeve (Item GS) is to dig the hole. Image 1 shows the dimension between the ground sleeves. Prepare a hole with a minimum size of 8" diameter x 24" deep, see Image 2.

STEP 2

Plug both ends of the ground sleeve to prevent concrete from filling the sleeve. Plastic plugs or duct tape work well for this.

STEP 3

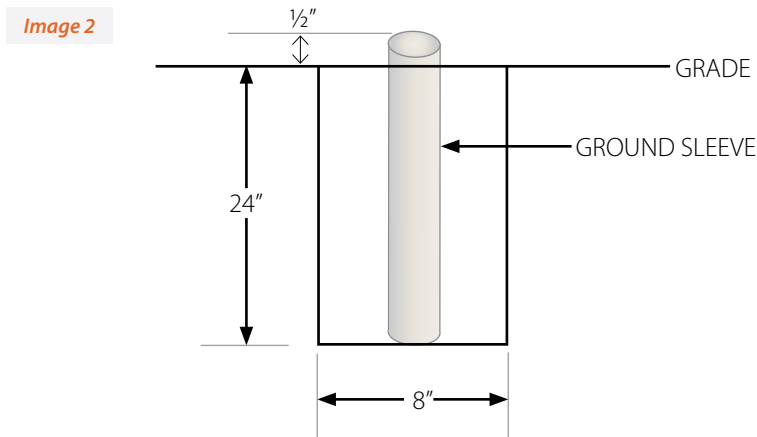
Next, drop the sleeve into the hole and begin to fill with concrete. When the hole is approximately half full, check to see that the sleeve is in the proper location. At this time insert a 2" piece of pipe into the sleeve and use a level to make sure it is perfectly vertical, see Image 3. If the sleeve is not perfectly vertical the pole will lean when installed.

STEP 4

Make sure the sleeve is at least 1/2" above the surface, see Image 2. This will prevent dirt and debris from washing into the ground sleeve. If installing several sleeves in a line, make sure the top of the sleeves are all set at the same height.

STEP 5

Finish filling the hole with concrete and check again for location and straightness.



INSIDE OF CONCRETE SLAB

Follow the steps to install the ground sleeve (Item GS, Part Number VF-DFGS24) from page 3 with a few exceptions. After the perimeter forms for your concrete slab have been set, locate the positions for the ground sleeves and dig the required holes, see Image 1 for dimensions. From here there are two ways to complete the installation, See Image 4.

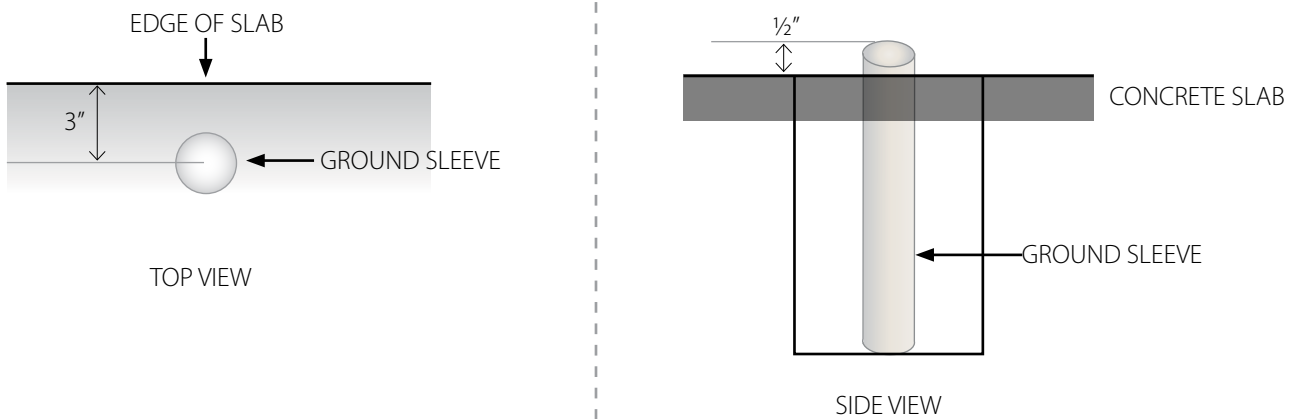
OPTION 1

Set the ground sleeves at the same time the slab is poured. This can save time but be sure you are prepared before you start.

OPTION 2

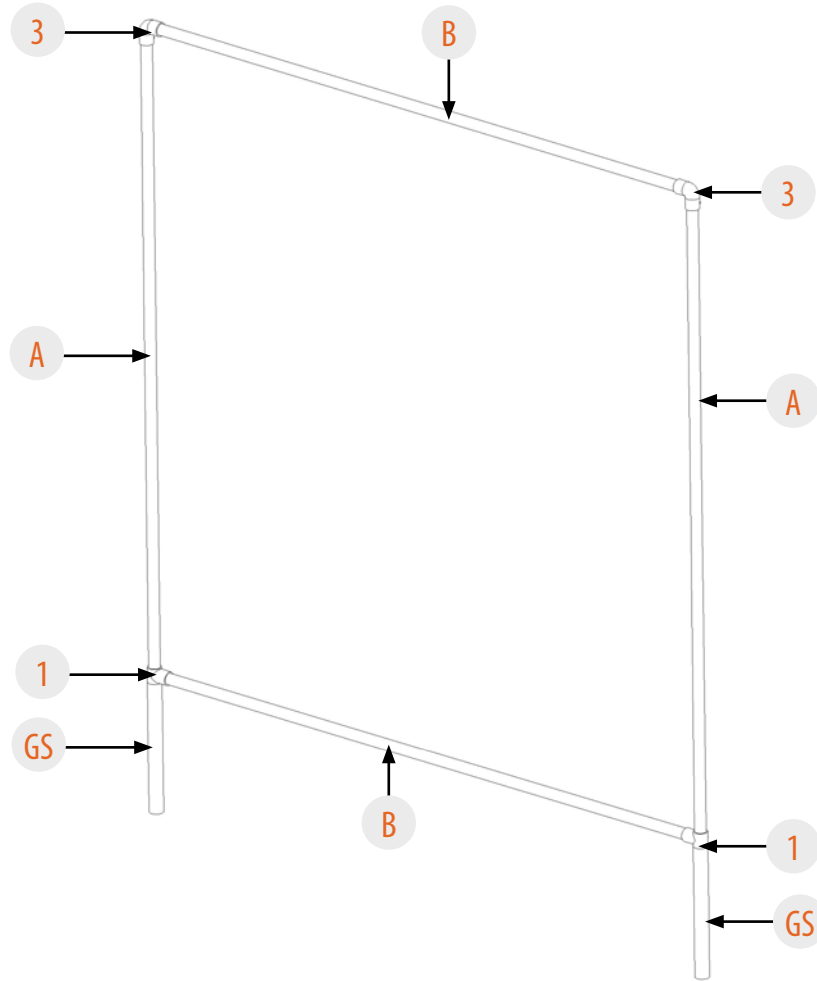
Preset the sleeves before the slab is poured. Only fill the holes approximately half way with concrete, just enough to hold them in the proper location. The remainder of the hole will be filled when the slab is poured.

Image 4



STAND ALONE REBOUNDER FRAME ASSEMBLY

Image 5



REBOUNDER FRAME AND NET INSTALLATION

ASSEMBLE THE FRAME

See Image 5 on page 4 for assistance.

STEP 1

Install 3 ground sleeves as shown and described above. Wait at least 24 hours for the concrete to cure before assembling the rebounder frame and net.

STEP 2

Slide the two (2) vertical posts (Item A) into the ground sleeves.

STEP 3

Slide the tee fittings (Item 1) over the posts and rest on the ground.

STEP 4

Slide the elbow fitting (Item 3) onto the two (2) end posts and lock into place using the set screw. Check to see that the distance between the top fitting and the bottom fitting is 10'. If it is less than 10', raise the posts and tighten the set screw in the tee fitting to hold it in place. If it is more than 10', then the vertical posts must be cut off.

ASSEMBLE NET TO FRAME

See Image 6 on page 6 for assistance.

STEP 5

First, use two (2) each bungee cords (Item BC) to attach the top right hand corner of the rebound net (Item N) to the frame. Hook the bungee cord thru the metal ring and over the top of the frame and back to the metal ring. The second bungee cord (Item BC) also attaches to the metal ring and wraps around the side pole (Item A). Use the same procedure for the upper left hand corner of the net.

STEP 6

Next, use an adjustable strap (Item AS) thru the ring in the bottom right hand corner of the rebound net (Item N) and loop it around the bottom horizontal pole (Item B). Take another strap adjustable strap (Item AS) and go thru the ring and around the side pole (Item B). Leave slack in the straps, do not tighten at this point. Follow the same procedure for the lower left hand corner.

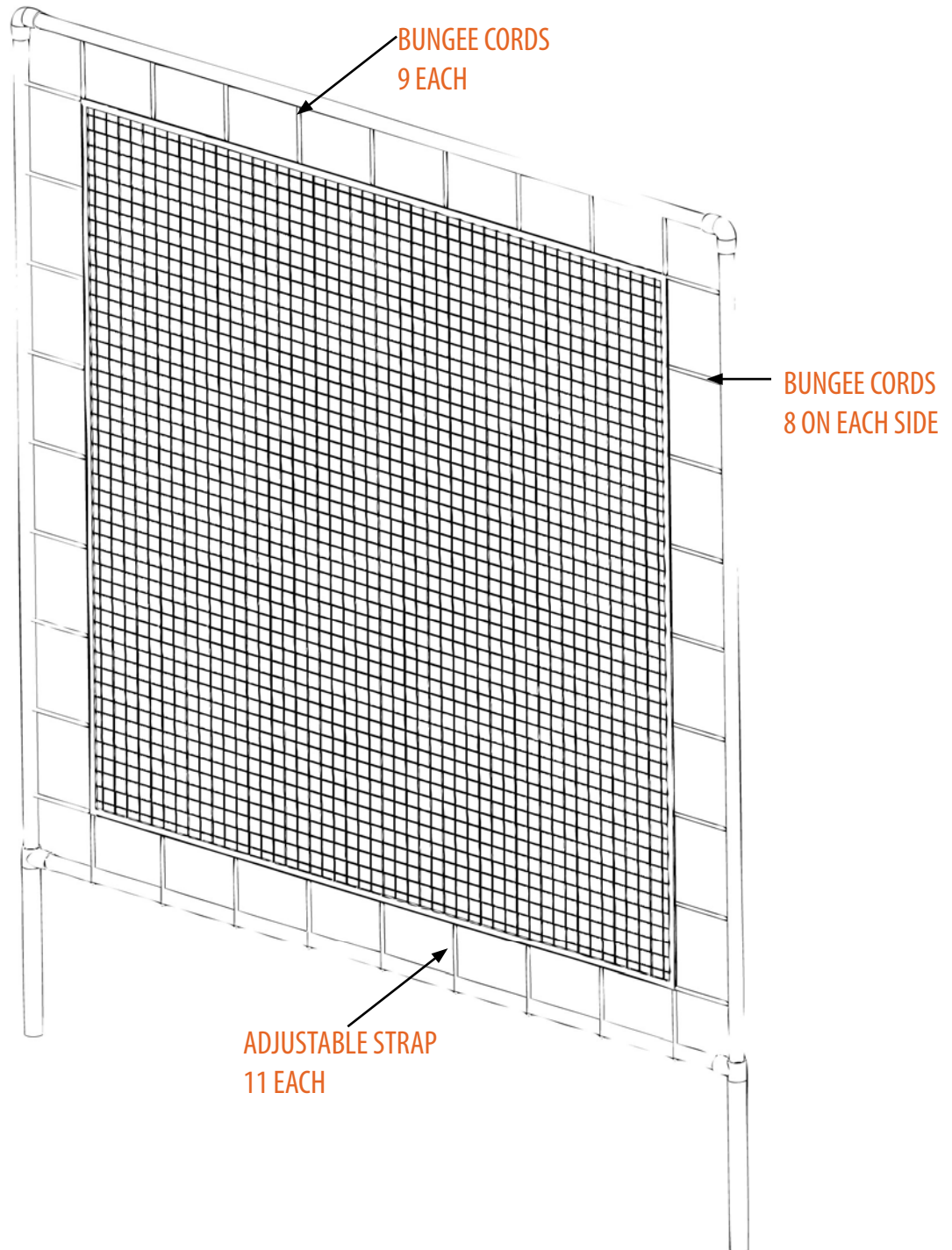
STEP 7

Now that all four corners are fastened, begin installing the rest of the bungee cords (Item BC). Along the top and two sides, attach the rebound net (Item N) to the frame using the bungee cords (Item BC) spaced every 17-18 mesh squares of the net (approximately 13"). There will be a total of 9 bungee cords used across the top and 8 on each side.

STEP 8

Add the adjustable straps (Item AS) across the bottom. Install the straps every 17-18 mesh of the rebound net (Item N) (approximately 13"). Tighten the straps until the net is about 7" from the bottom horizontal pole (Item B). The straps can be tightened further if desired to create more tension.

Image 6



NOTE: PULL DOWN ON THE NET BY HAND AND TIGHTEN THE STRAP TO HOLD NET IN PLACE. DO NOT PULL ON THE STRAP TO MOVE THE NET. THE STRAPS WILL BREAK UNDER THE PRESSURE REQUIRED TO MOVE NET.

See Image 7

Image 7



INSTALL TENNIS NET WEBBING

See Image 8 for assistance.

STEP 9

Weave the white tennis webbing strap (Item WS) into the net 36 inches from the playing surface. This simulates the height of a Tennis net.

Image 8



INSTALL BALL CONTAINMENT SKIRT

See Image 9 for assistance.

STEP 10

The rebound skirt (Item SK) attaches to the open area at the bottom of the net with the tie straps (Item TS). The brass eyelets go up. This keeps balls from passing beyond the rebounder.

Image 9



FOR MORE INFORMATION

You have now completed the installation process for your VersaCourt Rebounder. If you would like to submit a picture of your finished project email photos to info@versacourt.com

If you encounter any issues during your installation process, feel free to call VersaCourt at 800-540-4899 for advice. We thank you for choosing VersaCourt.

This installation manual is provided for informational purposes only to give the consumer basic understanding of the installation process for VersaCourt products. The following procedures are in accordance with VersaCourt Rebounders installations. VersaCourt makes no warranty as to, and bears no liability for, the content or use of this installation manual. VersaCourt will not be held liable for any "self-installed" rebounder net systems. For self-installed rebounder nets, owner assumes all responsibility and liability. VersaCourt representatives will, however, remain available for any questions you may have during your installation.